



MONROE COUNTY
R O A D
COMMISSION

840 S. Telegraph Road • Monroe, Michigan 48161 • Phone: (734) 240-5102 • Fax: (734) 240-5101

PROPOSAL

FOR

2018 VARIOUS UNIFORM TRAFFIC CONTROL DEVICES

BID OPENING:

Tuesday, March 6, 2018 at 10:00 a.m.

BOARD OF COUNTY ROAD COMMISSIONERS
OF THE COUNTY OF MONROE

Paul Iacoangeli, Chairman
Dan Minton, Vice Chairman
Stephen J. Pace, Member
Charles A. Londo, Member
Greg W. Stewart, Member

**MONROE COUNTY ROAD COMMISSION
INVITATION TO BID**

Sealed bids will be received by the Board of County Road Commissioners of the County of Monroe until **10:00 a.m.** local time on **Tuesday, March 6, 2018** at their office located at 840 South Telegraph Road, Monroe, Michigan, 48161 for the following:

- 2018-2020 State Trunk Line Mowing
- 2018-2020 State Trunk Line Sweeping
- 2018 Various Uniform Traffic Control Devices

Bids will be publicly opened and read aloud by the Bid Committee at 10:00 a.m. Proposals may be downloaded from the Road Commission's website at www.mcrc-mi.org/bids.html.

BOARD OF COUNTY ROAD COMMISSIONERS
OF THE COUNTY OF MONROE, MICHIGAN

**MONROE COUNTY ROAD COMMISSION
PROPOSAL
2018 VARIOUS UNIFORM TRAFFIC CONTROL DEVICES**

TO: The Board of County Road Commissioners of the County of Monroe, Michigan

FOR: 2018 Various Uniform Traffic Control Devices

Ladies and Gentlemen:

The undersigned bidder hereby affirms that:

1. The proposal is in all respects fair and without any collusion or fraud.
2. The undersigned agrees to furnish materials at the unit prices stated on the attached bid forms.

Company: _____

Address: _____

City, State, ZIP: _____

Telephone: _____

By: _____

Title: _____

Date: _____

INSTRUCTIONS TO BIDDERS
and
GENERAL CONDITIONS

The Michigan Department of Transportation 2012 Standard Specifications for Construction are incorporated as part of these bidding documents and shall govern except as provided in the Invitation to Bid, Instructions to Bidders and General Conditions, and Proposal. Reference to the Department or Commission in the Michigan Department of Transportation 2012 Standard Specifications for Construction shall for this project mean the Board of County Road Commissioners of the County of Monroe, hereinafter referred to as "Board", unless otherwise specified.

OWNER

The owner of the project is the Board of County Road Commissioners of the County of Monroe, also referred to as the "Board."

BIDDER

The Bidder is one who submits a signed bid with the required documentation directly to the Board at the time and place specified.

BID FORMS

Sealed proposals must be submitted on the bid forms furnished by the Board. The proposal shall be submitted in its entirety with no modifications or changes except as authorized by an addendum and with no pages removed. All proposals must be filled out in ink or typewritten and shall be legibly signed, giving the complete name and address of the Bidder.

All bids must be in a sealed envelope and clearly marked "**Bid for 2018 Various Uniform Traffic Control Devices.**" Bids failing to meet this requirement will not be considered.

OPENING OF BIDS

Bids will be received by the Board at 840 S. Telegraph Road, Monroe, Michigan, 48161 until **10:00 a.m.** local time on **Tuesday, March 6, 2018** at which time they will be publicly opened and read aloud.

ACCEPTANCE AND/OR REJECTION OF BIDS

The Board reserves the right to accept, reject and/or modify any or all bids, to waive irregularities therein, and to make the award in any manner deemed to be in the best interest of the Monroe County Road Commission.

TITLE VI NON-DISCRIMINATION PLAN

The Monroe County Road Commission, in accordance with Title VI of the Civil Rights Act of 1964 (78 Stat. 252, 42 USC 2000d-4) and as amended, and the Civil Rights Restoration Act of 1987 (P.L. 100.259) and Title 49, Code of Federal Regulations, Department of federally-assisted programs of the Department of Transportation issues pursuant to such Act, hereby notifies all bidders that it assures that in any contract entered into pursuant to this advertisement, no person shall on the grounds of race, color, religion, national origin, gender, disability, or age be excluded from participation in, be denied benefits of, or otherwise be subjected to discrimination under any program receiving Federal Financial assistance. Additionally, minority business enterprises will be afforded full opportunity to submit bids in response to this invitation and will not be discriminated against on grounds of race, color, religion, national origin, gender, disability, or age in consideration for an award.

TAXES

The Monroe County Road Commission is not subject to the Federal Excise Tax or the Michigan State Sales Tax. The Bidder shall not include these taxes in the unit prices quoted.

SPECIFICATIONS

Where specified, the materials shall conform to either the Michigan Department of Transportation 2012 Standard Specifications for Construction or the Ohio Department of Transportation 2013 Construction and Material Specifications.

COMMUNICATIONS

Any questions regarding this bid shall be directed to the Monroe County Road Commission's purchasing agent listed below:

Name: Christine Herron
Phone: 734-240-5109
Email: CHerron@mcrc-mi.org

TERMS OF CONTRACT

The process quoted by the bidder will remain firm through March 30, 2019.

WARRANTY REQUIREMENTS

The successful bidder shall be required to warranty all of the goods and materials awarded for a period of time not less than the manufacturer's warranty standard period of time, from the date the items are received, inspected and accepted by the Monroe County Road Commission.

REFLECTIVE MATERIAL

All reflective sheeting must meet or exceed ASTM D 4956 specifications for retroreflective sheeting based on the type specified within the bid and must meet the criteria contained within the 2012 Michigan Department of Transportation's Standard Specifications and be on the Michigan Department of Transportation's Qualified Products List.

The reflective sheeting SHALL be of the grade specified in the Bid documents. All material used for the construction of the reflective sign material (face or roll) with this Bid are to be 3M brand.

ALUMINUM DRILLING SPECIFICATIONS

The holes in the aluminum blank and prefabricated signs SHALL be punched according to the Michigan Department of Transportation's Specifications, unless otherwise noted. See attached "Support Hole Drilling" for additional information. Sign aluminum blanks may have 2, 4, or 6-hole punching patterns according to the attached drawings and will be specified with each order.

U-CHANNEL SIGN POSTS

MATERIAL	Hot rolled steel
STRENGTH	60,000 psi minimum yield strength
SHAPE	U-Channel
WEIGHT	3 lbs./lin. ft.
FINISH	Deep Green Baked Enamel and Galvanized
END TREATMENT	Per MDOT Specifications
PUNCHING	Per MDOT Specifications
ACCEPTANCE	At time of delivery, the posts will be inspected for their conformance to the specifications listed here. Any post failing to meet these specifications will be returned for replacement.

DELIVERY

The unit prices shall include all shipping costs necessary to deliver materials to the following address –

MONROE COUNTY ROAD COMMISSION
840 S. Telegraph Road
Monroe, Michigan 48161

Special charges, surcharges, or fuel charges of any kind may not be added. Any and all charges must be built into the bid prices at the time of bidding.

**MONROE COUNTY ROAD COMMISSION
UNIT PRICE CONTRACT
2018 VARIOUS UNIFORM TRAFFIC CONTROL DEVICES**

TO: Board of County Road Commissioners of Monroe County, Michigan

The undersigned, having full knowledge of the proposal and specifications for **2018 Various Uniform Traffic Control Devices** including Bidders' Addenda _____ and the conditions of these Contract Documents, hereby agrees to furnish materials at the unit prices named below:

Company: _____

ROLL MATERIAL

Material	Price/roll
3M Diamond Grade DG ³ Reflective Sheeting – Standard Colors – Series 4000 – 24"x50yd	\$
3M Diamond Grade DG ³ Reflective Sheeting – Standard Colors – Series 4000 – 30"x50yd	\$
3M Diamond Grade DG ³ Reflective Sheeting – Standard Colors – Series 4000 – 36"x50yd	\$
3M Diamond Grade Florescent DG ³ Reflective Sheeting – Standard Colors – Series 4081 – 24"x50yd	\$
3M Diamond Grade Florescent DG ³ Reflective Sheeting – Standard Colors – Series 4081 – 30"x50yd	\$
3M Diamond Grade Florescent DG ³ Reflective Sheeting – Standard Colors – Series 4081 – 36"x50yd	\$
3M Scotchcal Graphic Film – Black – Series 3650-12 – 30"x50yd	\$
3M Scotchcal Graphic Film – Black – Series 3650-12 – 36"x50yd	\$
3M Electrocut Film-Standard Colors – Series 1170 – 18"x50yd	\$
3M Electrocut Film-Standard Colors – Series 1170 – 24"x50yd	\$
3M Electrocut Film-Standard Colors – Series 1170 – 30"x50yd	\$
3M Electrocut Film-Standard Colors – Series 1170 – 36"x50yd	\$
3M Protective Overlay Film – Series 1150 – 30"x50yd	\$
3M Protective Overlay Film – Series 1150 – 36"x50yd	\$
TPM-5 Clear Transfer Tape – 6"x100yd	\$
TPM-5 Clear Transfer Tape – 9"x100yd	\$
TPM-5 Clear Transfer Tape – 24"x100yd	\$
TPM-5 Clear Transfer Tape – 30"x100yd	\$

PREFABRICATED REGULATORY AND MISC. REFLECTORIZED SIGN FACES
3M Diamond Grade DG³ Reflective Sheeting, Series 4000
On 0.80 flat aluminum

Size	Example(s)	Price Per Sign
18"x18"	ER-1	\$
30"x30"	R1-1	\$
36"x36"	R1-1	\$
36"x36"x36"	R2-1	\$
18"x6"	R1-4	\$
48"x9"	R15-1	\$
27"x18"	R15-2P 2, R15-2P 3	\$
48"x30"	R11-2	\$
24"X30"	R2-1, R12-1, R2-5A, R3-16, R3-16a, R3-17, R4-2, R8-8	\$
36"X12"	R6-1	\$
36"X48"	R3-9b	\$
24"x10"	ARROW (special-see attachment)	\$
24"X24"	R5-2 – 'No Trucks'	\$
24"X24"	R5-2 – 'No Thru Trucks'	\$
24"X36"	R10-6	\$
24"X36"	R12-8 (special-see attachment)	\$
12"X6"	R8-4	\$
12"X12" 2 color	R3-8a	\$
24"X24" 2 color	R3-8a	\$
24"X18"	R1-10p, R14-1	\$
24"x18"	R14-1 (special-see attachment)	\$

NOTE - Examples are not all inclusive to what signs may be ordered.

PREFABRICATED WARNING REFLECTORIZED SIGN FACES
 3M Diamond Grade Florescent DG³ Reflective Sheeting, Series 4000
 On 0.80 flat aluminum

Size	Example(s)	Price Per Sign
12"x36"	OM-3L, OM-3R	\$
30"x30"	W3-1(text), W14-1, W14-2, W14-2a, W11-1, W15-1	\$
30"x30"	W3-1(symbol), W3-2(symbol), W3-3(symbol), W3-5(symbol)	\$
36"x36"	W3-1(text), W3-2(text), W3-3(text), W3-5(text), W1-1, W1-2, W1-3, W1-4, W1-5, W2-1, W2-2, W2-3, W3-4, W1-8, W8-3, W11-10a, W9-1, W8-18	\$
36"x36"	W3-1(symbol), W3-2(symbol), W3-3(symbol), W3-5(symbol)	\$
48"x24"	W1-6, W1-7	\$
18"x24"	W1-8	\$
18"x18"	W13-1	\$
24"x24"	W13-1	\$
24"X12"	W4-4p	\$
36" round	W10-1	\$
48"X48"X36"	W14-3	\$
30"X30"	Blank Warning - Yellow	\$
36"x36"	Blank Warning - Yellow	\$
48"x48"	Blank Warning - Orange	\$

NOTE - Examples are not all inclusive to what signs may be ordered.

RETROREFLECTIVITY STRIP FOR SIGN SUPPORTS

5 ft. length and must fit on a U-channel post
On 0.80 flat aluminum

Material	Price Per Strip
3M Diamond Grade Florescent DG ³ Reflective Sheeting – Standard Colors – Series 4081	\$
3M Diamond Grade DG ³ Reflective Sheeting – Standard Colors – Series 4000	\$
3M Diamond Grade DG ³ Reflective Sheeting – Standard Colors – Series 4090	\$

PREFABRICATED REGULATORY AND MISC. REFLECTORIZED SIGN DECALS

3M Diamond Grade DG³ Reflective Sheeting, Series 4000

Size	Example(s)	Price Per Sign
30"x30"	R1-1	\$
36"x36"	R1-1	\$
30"x30"	W3-1	\$
36"x36"	W3-1	\$

PREFABRICATED REGULATORY AND MISC. REFLECTORIZED SIGN FACES

3M Diamond Grade Florescent DG³ Reflective Sheeting, Series 4083 – Fluorescent Yellow Green
On 0.80 flat aluminum

Size	Example(s)	Price Per Sign
36"X36" pentagon	S1-1	\$
36"X36"	W11-2	\$
24"X12"	W16-7p, W16-9p	\$
24"X8"	S4-3p	\$
36"X36" 2 color	S4-5	\$

ALUMINUM SIGN BLANKS
On 0.80 flat aluminum

Size	Example(s)	Price Per Sign
12"x6"	Rectangle	\$
12"x18"	Rectangle	\$
18"x6"	Rectangle	\$
18"x12"	Rectangle	\$
18"x24"	Rectangle	\$
24"x6"	Rectangle	\$
24"x10"	Rectangle	\$
24"x12"	Rectangle	\$
24"x18"	Rectangle	\$
24"x30"	Rectangle	\$
24"x36"	Rectangle	\$
30"x6"	Rectangle	\$
60"x30"	Rectangle	\$
36"x6"	Rectangle	\$
36"x12"	Rectangle	\$
36"x18"	Rectangle	\$
48"x12"	Rectangle	\$
48"x24"	Rectangle	\$
48"x30"	Rectangle	\$
12"x12"	Square	\$
18"x18"	Square	\$
24"x24"	Square	\$
30"x30"	Square	\$
36"x36"	Square	\$
48"x48"	Square	\$

PREFABRICATED REFLECTORIZED STREET SIGNS
 3M Diamond Grade DG³ Reflective Sheeting, Series 4000
 White Sheeting/One Side Only
 On 0.80 flat aluminum

Size	Unitl Price
24"x9"	\$
30"x9"	\$
36"x9"	\$
42"x9"	\$
24"x12"	\$
30"x12"	\$
36"x12"	\$
42"x12"	\$

SUPPLY OF GREEN BAKED ENAMEL 3#/ft. U-CHANNEL SIGN POSTS

Size	Price Per Post	Price Per Bundle of 50
11'	\$	\$
12'	\$	\$
14'	\$	\$
15'	\$	\$
16'	\$	\$

MISCELLANEOUS

Material	Price Per Item
Unistrut – 1 ¼" Square x 3' long – 12 gauge	\$
Unistrut – 1 ¼" Square x 4' long – 12 gauge	\$
Plastic Barricade Board – Blank – Type 3 Panel (Left, Bi-Directional, Right, Closures)	\$
24"x24" Adopt A Road Sign - see attached	\$
Type III Barricade - see attached	\$

Additional Remarks: _____

Are there any objections or deviations? Yes _____ No _____

If yes, please describe below:

Do you offer payment discounts? Yes _____ No _____

If yes, please describe below:

Communications concerning this Bid shall be addressed to the Bidder's representative.

Name of Representative: _____

Address: _____

City, State, ZIP: _____

Telephone Number: _____

Fax Number: _____

E-Mail Address: _____

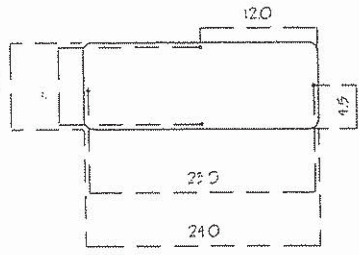
The terms used in this Bid, which are defined in subsection 101.03 of the Michigan Department of Transportation 2012 Standard Specifications of the Construction, have the meanings assigned to them in the Standard Specifications for Construction.

SUBMITTED on: _____, 2018

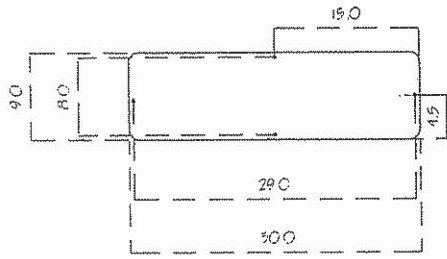
SUPPORT HOLE DRILLING

Note: Sign support hole placement shall be in accordance to the specifications listed

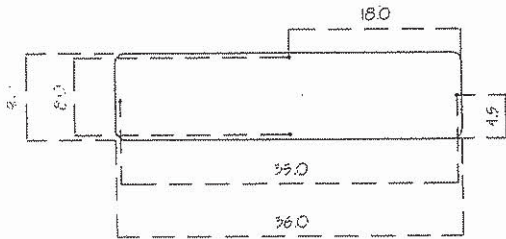
Shape	Size	Standard	Total Holes	Specs/Pattern(s)
Octagon	30"	MDOT	2	2-Hole
	36"		6	2-Hole & 4-Hole
Equilateral Triangle	36"	MDOT	2	2-Hole
Isosceles Triangle	48"x36"	Federal	2	2-Hole
Square	12",18",24"	MDOT	2	2-Hole
	W13-1 24"x24"		4	2-Hole Vertical & 2-Hole Horizontal
Diamond	30"x30"	MDOT	2	2-Hole
	36"x36"		6	4-Hole
Diamond/Square	18", 30", 48"	MDOT	4	2-Hole Diamond & 2-Hole Square
Rectangle	12"x6" 12"x18" 18"x6" 18"x12" 18"x24" 24"x6" 24"x8" 24"x10" 24"x12" 30"x6" 36"x6" 48"x12"	MDOT	2	2-Hole Horizontal
	36"x12" 36"x42" 48"x24" 48"x30" 60"x30"	Federal	4	4-Hole
	18"x24" 24"x36" 27"x12"	MDOT	2	2-Hole Vertical
	24"x18" 24"x30"	MDOT	4	2-Hole Vertical & 2-Hole Horizontal
	W1-6/W1-7 48"x24"	Federal	4	4-Hole
	OM-3 12"x36"	MDOT	3	3-Hole
	R6-1 36"x12"	MDOT	6	6-Hole
	Circle	36"	MDOT	6
Pentagon	36"	MDOT	6	2-Hole & 4-Hole
Rectangle Street Name Signs	24"x9" 24"x12" 30"x9" 30"x12" 36"x9" 36"x12" 42"x9" 42"x12"	MCRC	4	See Attached



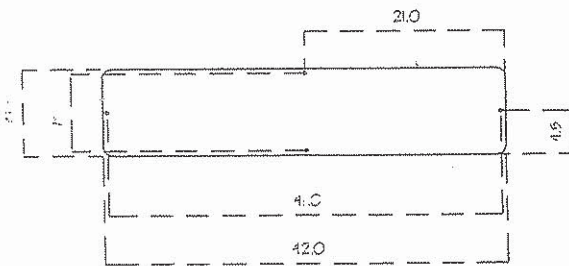
24" X 9" 4-Hole Metal Blank, White One Side



30" X 9" 4-Hole Metal Blank, White One Side

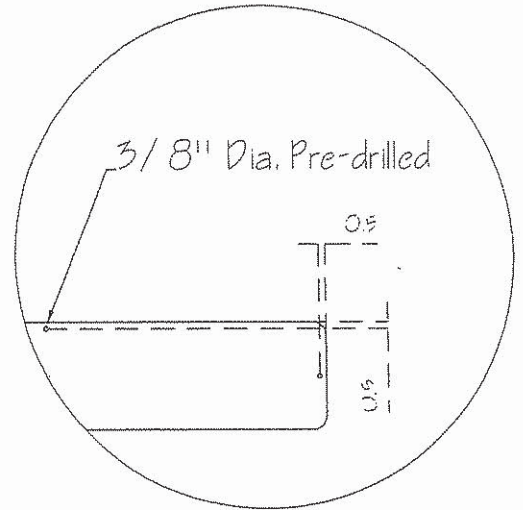


36" X 9" 4-Hole Metal Blank, White One Side



42" X 9" 4-Hole Metal Blank, White One Side

Typical Hole Information



Street Sign Blanks

2009 STD

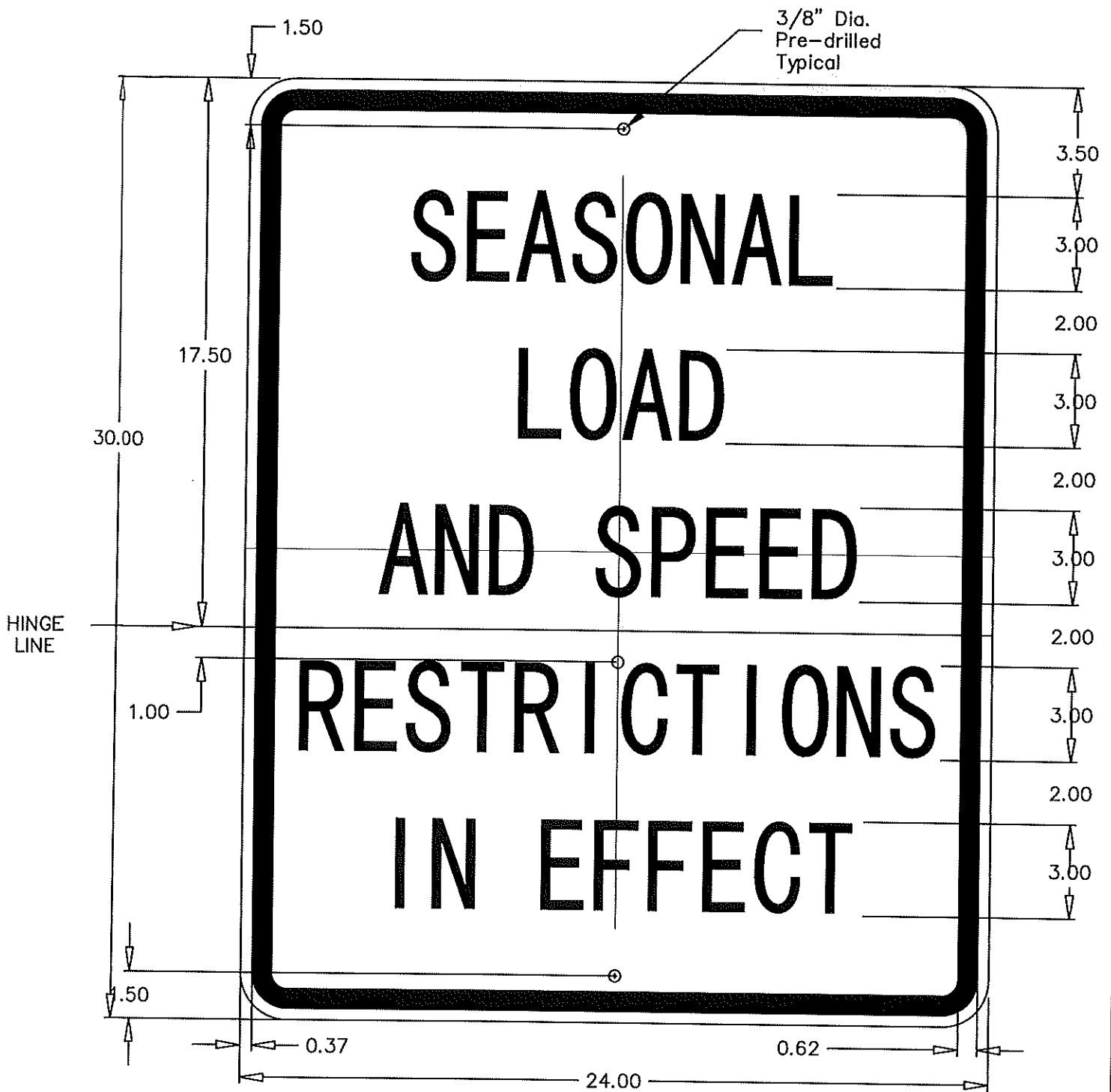
Reference #

SHEET NO	DRAWN BY:	DATE:	CHECKED BY:	SCALE:
	JJA	2/09	PB	1:20



MONROE COUNTY
ROAD
COMMISSION

840 S Telegraph Rd Monroe MI 48161 (734) 240-5100



R12-8

COLORS

LEGEND AND BORDER - BLACK (NON-REFL.)
BACKGROUND - WHITE (REFL.)

SEASONAL WEIGHT LIMIT SIGNS
PERMANENT HINGED SIGNS

459-021-140108
COUNTY WIDE

DRAWN BY

MWL

DATE:

10/24/14

CHECKED BY

JAA

DATE:

10/24/14

SCALE

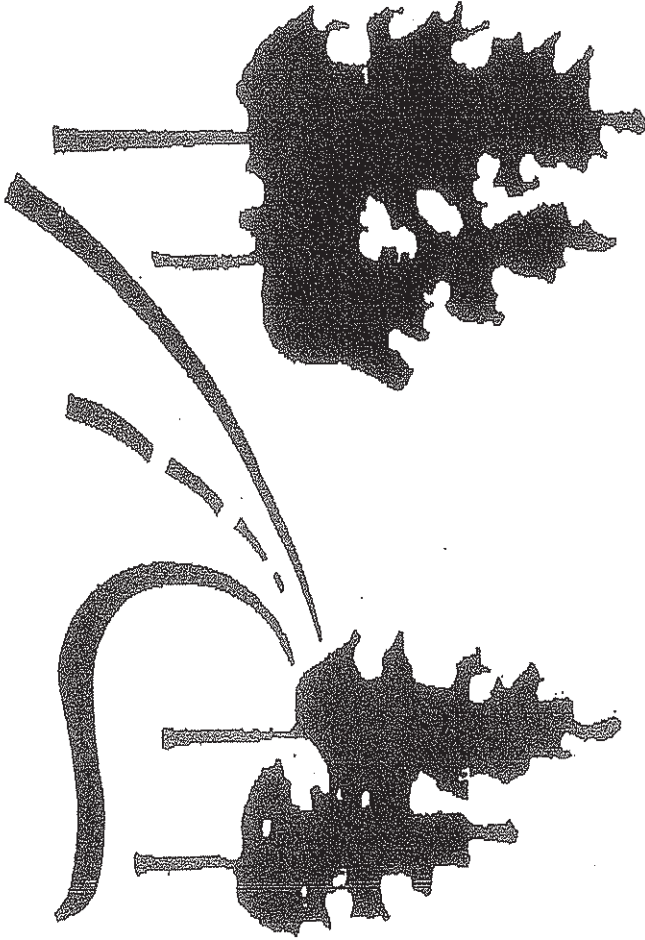
SHEET:



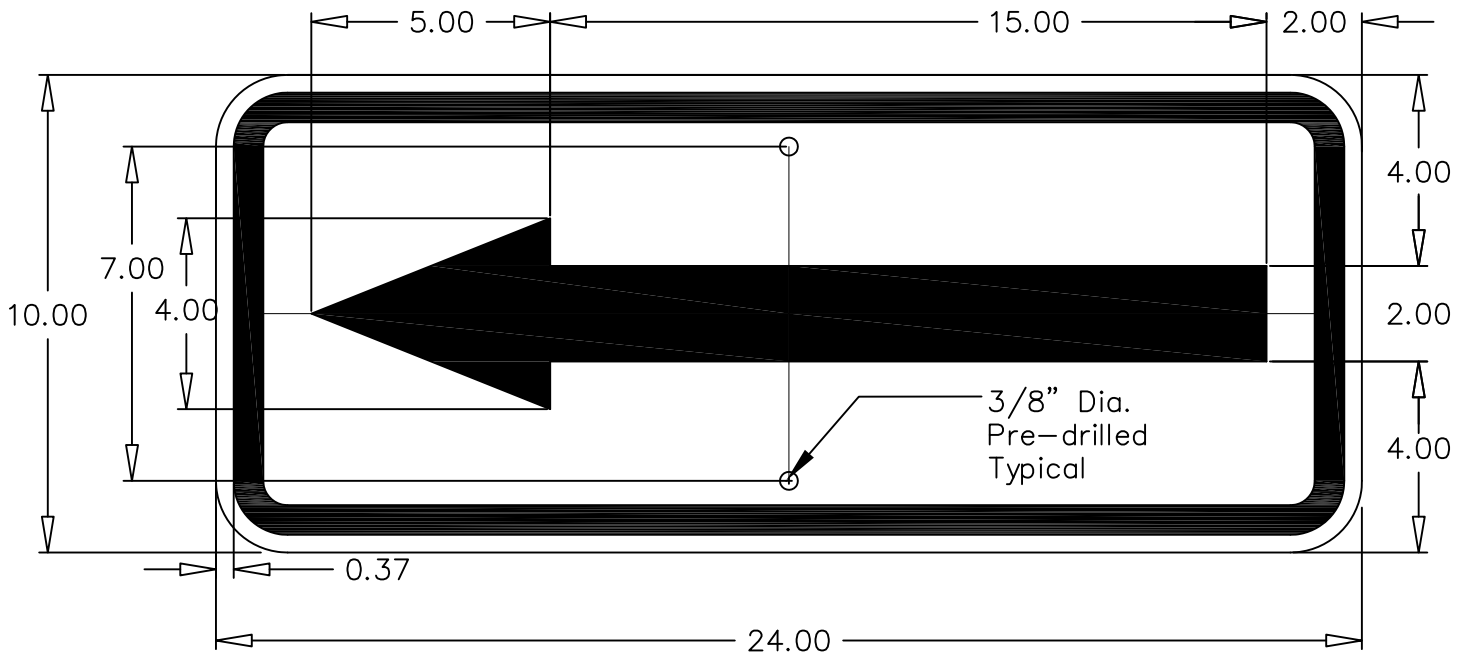
MONROE COUNTY
ROAD
COMMISSION

840 S TELEGRAPH ROAD MONROE MI 48161 (734) 240-5102

ADOPT - A - ROAD



- 24" Sq. Monroe Cty. Adopt-A-Road Sign
- 1-1/2" Corner Radius
- 2 (3/8" Dia.) Holes, centered 3" top & bottom
- 3/8" Border to edge
- 2" Hwy series "D" Legend
- Std color Inks:
- Blue: Border, Legend, & Border Line
- Green: Trees
- Black: Road outline



???-?
 COLORS

LEGEND AND BORDER - BLACK (NON-REFL.)
 BACKGROUND - WHITE (REFL.)

DIRECTIONAL ARROW
 MISC 2

XXX-021-150XXX
 COUNTY WIDE

DRAWN BY
 MWL

CHECKED BY
 JAA

SCALE

DATE:
 6/2/15

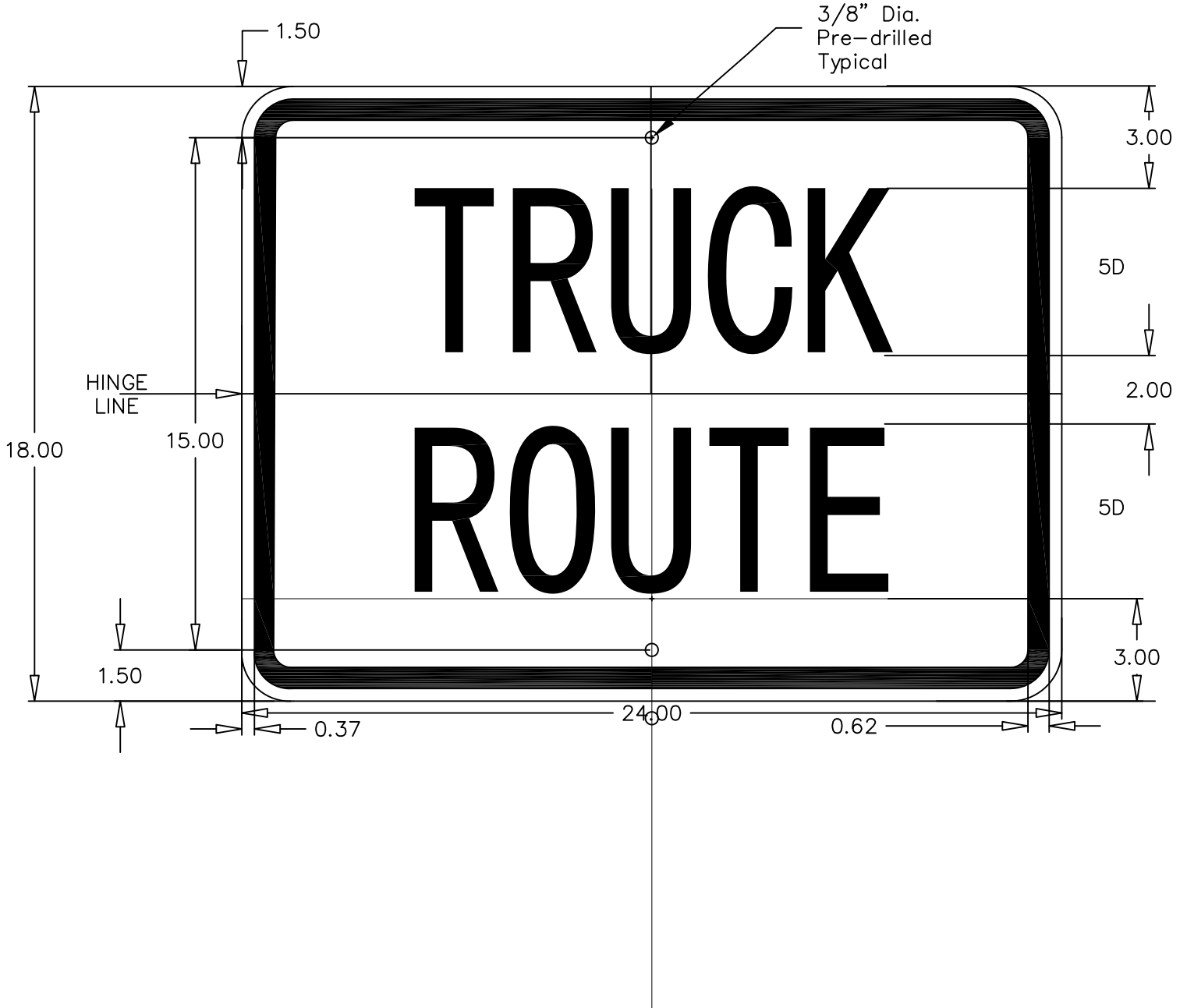
DATE:
 6/2/15

SHEET:



MONROE COUNTY
 ROAD
 COMMISSION

840 S TELEGRAPH ROAD MONROE MI 48161 (734) 240-5102



TRUCK ROUTE SIGNS
PERMANENT HINGED SIGNS

459-021-140108
COUNTY WIDE

DRAWN BY

CHECKED BY
JAA

SCALE

DATE:

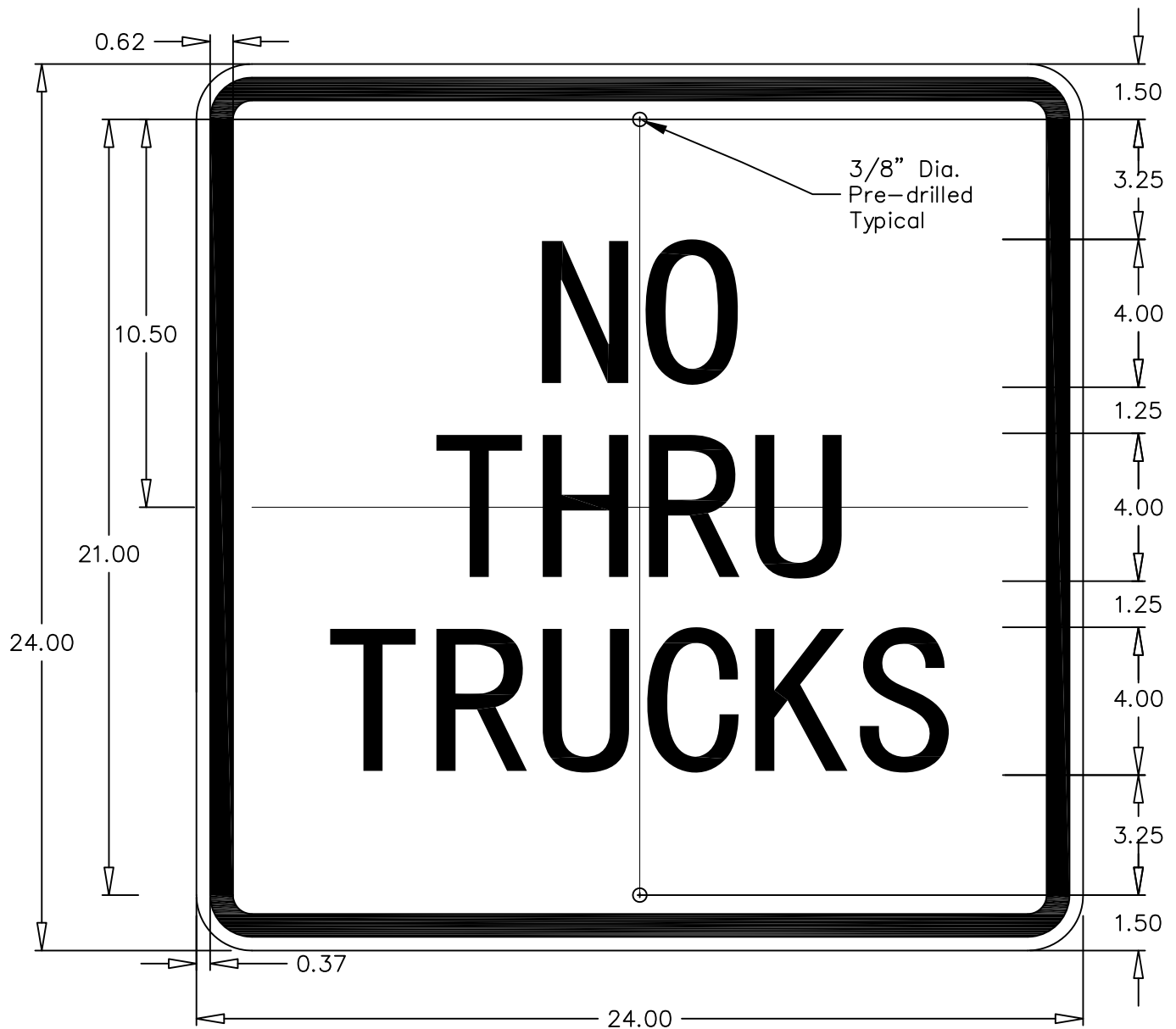
DATE:
01/19/17

SHEET:



MONROE COUNTY
ROAD
COMMISSION

840 S TELEGRAPH ROAD MONROE MI 48161 (734) 240-5102



??-?

COLORS

LEGEND AND BORDER - BLACK (NON-REFL.)
BACKGROUND - WHITE (REFL.)

TRUCK ROUTE SIGN
MISC 1

XXX-021-150XXX
COUNTY WIDE

DRAWN BY

MWL

DATE:

6/2/15

CHECKED BY

JAA

DATE:

6/2/15

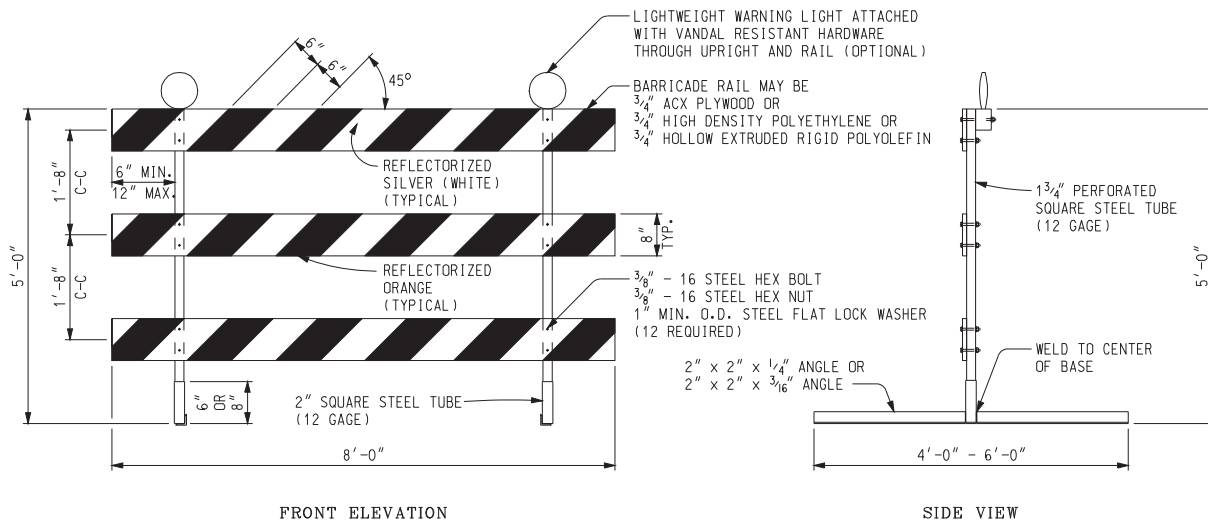
SCALE

SHEET:

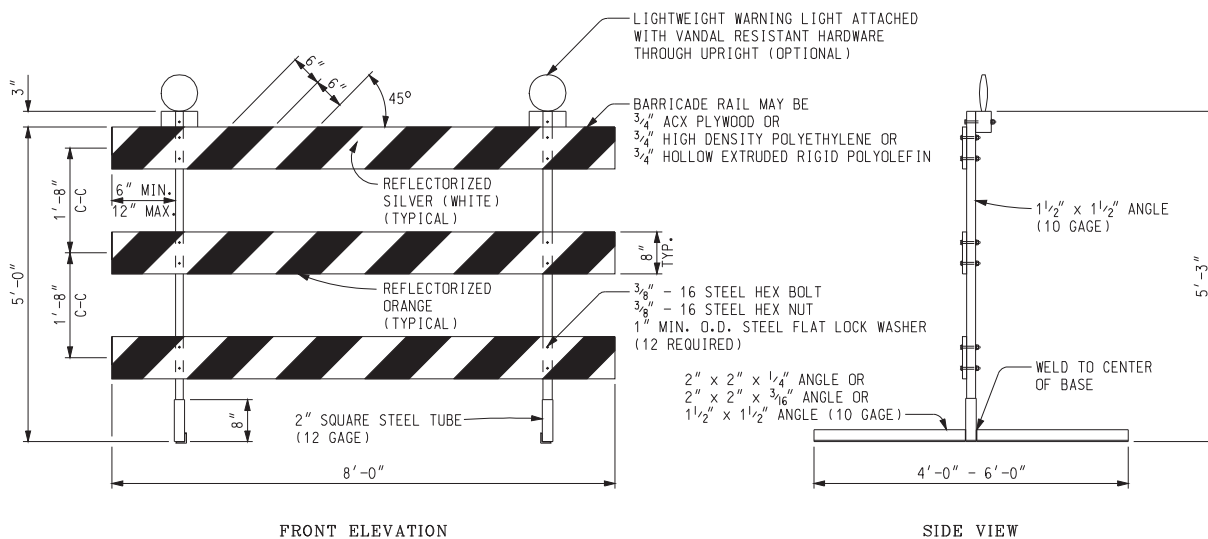


MONROE COUNTY
ROAD
COMMISSION

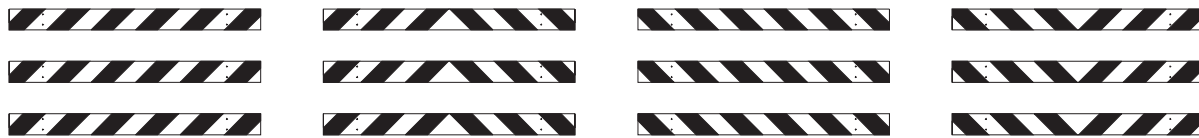
840 S TELEGRAPH ROAD MONROE MI 48161 (734) 240-5102



PERFORATED SQUARE STEEL TUBE OPTION



ANGLE IRON OPTION



LEFT DIRECTIONAL

BI-DIRECTIONAL

RIGHT DIRECTIONAL

CLOSURES

BARRICADE RAIL SHEETING OPTIONS
TYPE III BARRICADES

Other Type III Barricades meeting current NCHRP crash worthy criteria can be found on the FHWA Safety website at http://safety.fhwa.dot.gov/roadway_dept/road_hardware/wzd.htm

NOT TO SCALE

File: T&S/Typ/Signs/WorkZones/wzd 125 d

Rev. 09/22/09 PJ



PREPARED BY
TRAFFIC AND SAFETY

ENGINEER OF DELIVERY

ENGINEER OF DEVELOPMENT

MICHIGAN DEPARTMENT OF TRANSPORTATION
BUREAU OF HIGHWAYS DELIVERY STANDARD PLAN FOR

Temporary
Traffic Control Devices

DRAWN BY: ECH

(SPECIAL DETAIL)

9/22/09
PLAN DATE

WZD-125-E

SHEET
1 of 3

CHECKED BY: MWB

FHWA APPROVAL DATE

NOTE: THE ORIGINAL SIGNED COPY IS KEPT ON FILE AT THE MICHIGAN DEPARTMENT OF TRANSPORTATION.